

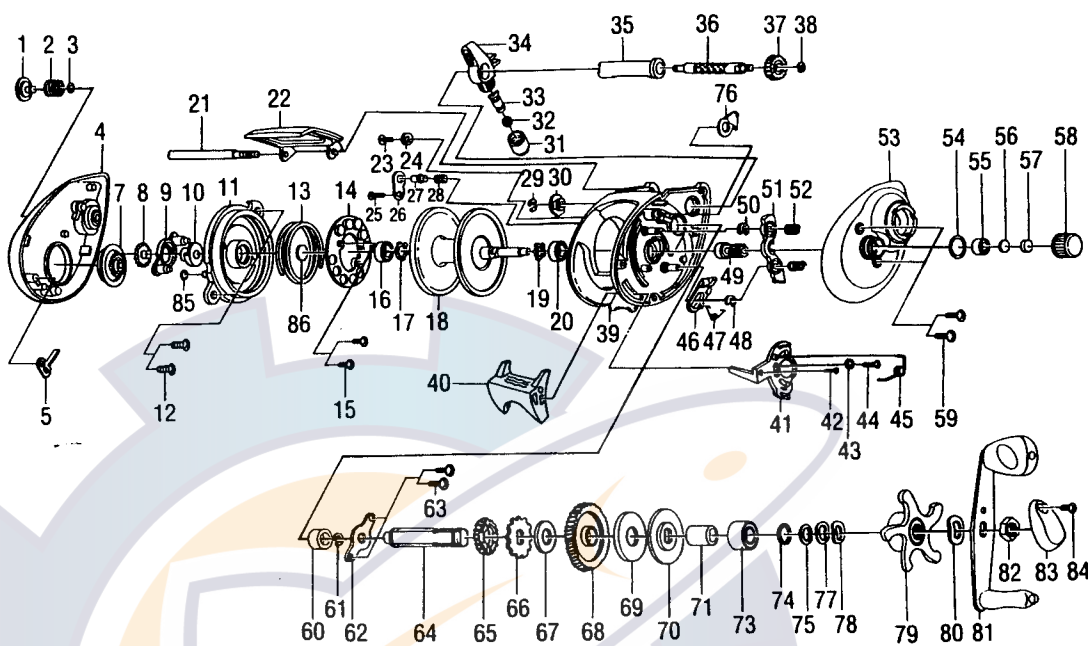
QUANTUM LITE QL200 / QL250

SPECIFICATIONS:

- 2 Ball Bearings
- 5.1:1 Gear Ratio
- 20.6 Inches per Turn
- 8.4 oz. Weight
- QL200** - 165 yds./12 lb. Line Capacity
- QL250** - 100 yds./12 lb. Line Capacity

FEATURES:

- 1-piece Graphite Frame
- Brass Magnum Gears
- Drag Star
- Magnum Drag System
- Adjustable Magnetic Cast Control
- Spool Tension Knob
- Push Button Side Cover Release
- Quick Takedown
- Color: Grey



Key No.	QL200 Part No.	QL250 Part No.	Description	Price	Key No.	QL200 Part No.	QL250 Part No.	Description	Price
1	MV119-01	MV119-01	Side Cover Release Button	2.50	44	BV076-01	BV076-01	Release Slider Screw	.35
2	MV070-01	MV070-01	Side Cover Release Button Spring	.75	45	MV104-01	MV104-01	Release Slider Spring	.45
3	QW073-01	QW073-01	Side Cover Release Pin O-Ring	.72	46	MV077-01	MV077-01	Kick Lever	1.55
4	MV023-02	MV023-02	Left Side Cover	8.00	47	MV097-01	MV097-01	Kick Lever Spring	.65
5	MV108-01	MV108-01	Clicker Spring	1.00	48	QW120-01	QW120-01	Kick Lever E-Clip	.26
7	MV026-01	MV026-01	Magnet Dial	1.00	49	ZW311-01	ZW311-01	Pinion Gear Assy	10.10
8	EV026-01	EV026-01	Magnet Control Gear	.75	50	QW120-01	QW120-01	Pinion Yoke E-Clip	.26
9	MV028-01	MV028-01	Magnet Slide Cam	.75	51	MV025-01	MV025-01	Pinion Yoke	1.00
10	DV026-01	DV026-01	Magnet Control Cam	.75	52	MV040-01	MV040-01	Pinion Yoke Spring	.67
11	MV051-01	MV051-01	Spool Cover	2.80	53	MV024-02	MV024-03	Right Side Cover	9.60
12	ZW125-01	ZW125-01	Spool Cover Screw	1.00	54	QW101-01	QW101-01	Tension Knob O-Ring	.26
13	MV071-01	MV071-01	Slider Cam Spring	.50	55	QW117-01	QW117-01	Tension Knob Bushing	.64
14	QW330-01	QW330-01	Magnet Plate Assy	2.88	56	QW032-01	QW032-01	Spool Tension Washer	.52
15	QW076-01	QW076-01	Magnet Plate Screw	.67	57	MV082-01	MV082-01	Spool Cushion Washer	.67
16	BV017-01	QW017-01	Spool Shaft Bushing (L)	.95	58	MV033-01	MV033-01	Spool Tension Knob	2.50
17	MV080-01	MV080-01	Bearing Retainer	1.00	59	QW053-01	QW053-01	Side Cover Screw	.67
18	MV321-01	N/A	Spool Assy (Die Cast Alum.)	9.75	60	QW017-01	QW017-01	Crank Shaft Bushing (L)	.21
19	MV080-01	MV080-01	Bearing Retainer	1.00	61	QW120-01	QW120-01	Crank Shaft Retainer E-Clip	.26
20	SW017-01	SW017-01	Spool Shaft Bushing (R)	6.80	62	BV002-01	BV002-01	Crank Shaft Retainer	.95
21	ZW061-01	ZW061-01	Stabilizer Bar	2.80	63	QW107-01	QW107-01	Crank Shaft Retainer Screw	.46
22	MV027-02	MV027-03	Front Support	2.50	64	ZW008-01	ZW008-01	Crank Shaft	5.60
23	BV076-01	BV076-01	Side Cover Stopper Collar Screw	.35	65	ZW112-01	ZW112-01	Oscillate Drive Gear	1.55
24	BV088-01	BV088-01	Side Cover Stopper Collar	.85	66	QW083-01	QW083-01	Trip Ratchet	.36
25	ZW125-01	ZW125-01	Stop Post Retainer Screw	1.00	67	MV111-01	MV111-01	Trip Ratchet Washer	.26
26	MV056-01	MV056-01	Side Cover Stop Post Retainer	.75	68	ZW012-01	ZW012-01	Drive Gear	10.90
27	MV095-01	MV095-01	Side Cover Stop Post	1.25	69	QW059-01	QW059-01	Drag Disc	1.70
28	MV096-01	MV096-01	Side Cover Stop Post Spring	.50	70	QW045-01	QW045-01	Drag "D" Washer	.82
29	NX092-01	NX092-01	Worm Shaft E-Clip	.30	71	MV052-01	MV052-01	Spacer	1.25
30	QW067-01	QW067-01	Worm Shaft Bushing	.67	73	TW058-01	TW058-01	Crank Shaft Ball Bearing	7.21
31	ZW007-01	ZW007-01	Line Guide Carrier Screw	2.85	74	TW035-02	TW035-02	Crank Shaft Washer	.46
32	BV035-01	BV035-01	Line Guide Pawl Washer	.40	75	ZW032-01	ZW032-01	Star Drag Washer	1.25
33	ZW006-01	ZW006-01	Line Guide Pawl	2.80	76	MV363-01	MV363-01	Anti-Reverse Pawl Assy	2.50
34	MV347-01	MV347-01	Line Guide Carrier Assy	5.70	77	QW046-02	QW046-02	Spring "D" Washer	.98
35	ZW016-01	ZA016-01	Worm Shaft Guide	2.00	78	QW046-02	QW046-02	Spring "D" Washer	.98
36	ZW072-01	ZW072-01	Worm Shaft	7.20	79	ZW055-01	ZW055-01	Star Drag	2.80
37	ZW085-01	ZW085-01	Oscillate Pinion Gear	1.75	80	QW054-01	QW054-01	Handle Washer	.72
38	NX090-01	NX090-01	Oscillate Pinion Gear E-Clip	.41	81	WW318-03	WW318-03	Handle Assy	5.00
39	MV001-01	MV001-01	Frame	13.00	82	QW003-01	QW003-01	Handle Nut	.36
40	MV009-01	MV009-01	Thumb Bar	.70	83	QW034-01	QW034-01	Handle Nut Cap	.26
41	MV039-01	MV039-01	Release Slider	3.10	84	QW123-01	QW123-01	Handle Nut Cap Screw	.15
42	ZW053-01	ZW053-01	Thumb Bar Screw	1.00	85	NX105-01	NX105-01	Dial Friction Ring	.62
43	SW121-01	SW121-01	Release Slider Guide Washer	.50	86	QW032-04	QW032-04	Spool Tension Shim	.52

MODEL INTRODUCED 1997	EFFECTIVE DATE OF PARTS LIST/DIAGRAM April 1997	DISCONTINUED N/A
------------------------------	--	-------------------------

Prices subject to change without notice. Prices do not include postage and handling.

